



Ice Machine Parts List for Series S1200 Models

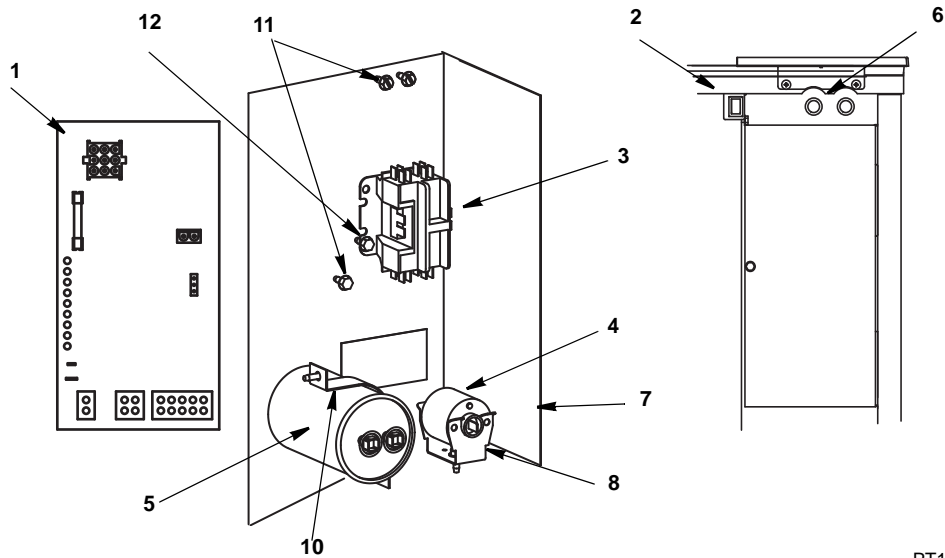
SD1202A

SY1204A

SD1203W

SY1205W

S1200 CONTROL BOX



PT1388

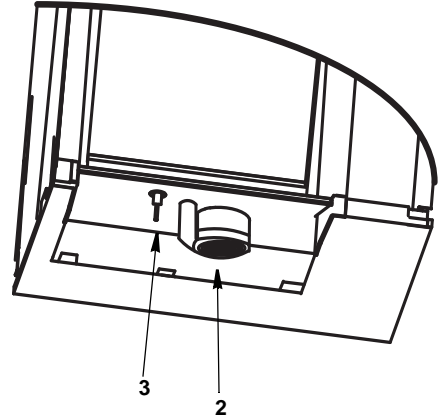
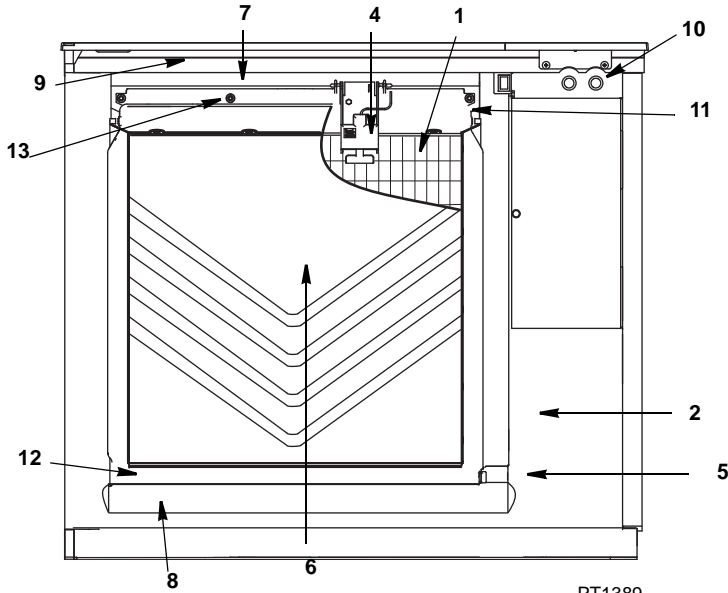
DESCRIPTION

	PART NO.
1 Control Board (for use with all voltages)	20-0619-9
a. 7 Amp Fuse – Mounted on Control Board	25-1100-3
2 Toggle Switch Only	20-0793-9
a. Toggle Switch Wiring Harness	20-0807-9
b. Toggle Switch Box	40-1163-9
3 Contactor	
a. 208-230V/60 Hz/1 Ph or 230V/50 Hz 1Ph.	20-0908-9
b. 208-230V/60 Hz/3 Ph	20-0661-9
4 P.T.C.R. Compressor Starter.	85-0491-3
5 Compressor Run Capacitor 208-230V/50/60 Hz/1 Ph).	20-1013-3
6 Refrigeration Service Valve Assembly	83-7326-3

Miscellaneous – Brackets, Screws, etc.

7 Control Box	76-0214-3
a. Control Box Cover (Not shown).	76-0215-3
8 P.T.C.R. Compressor Starter Mounting Bracket	85-0495-3
9 Control Board Mounting Supports (Not shown)	43-0225-3
10 Capacitor Mounting Strap	602495-3
11 Screw, #10-24 x .50 Ground	52-0216-9
a. Star Washer	55-7320-9
12 Screw, #10-24 x .50	52-0206-9
13 Control Box Wiring Harness (Not shown)	
a. 230/60/1, 230/50/1, 230/60/3.	20-0899-9
14 Harvest Air Assist Pump Wiring Harness	20-0743-9

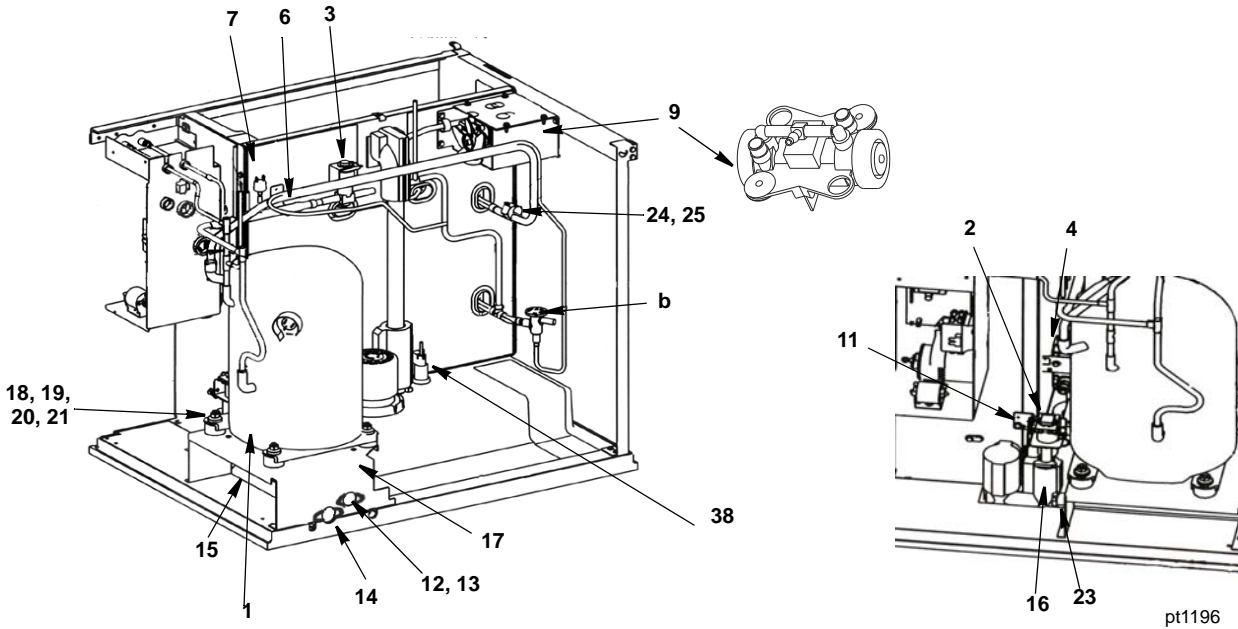
S1200 EVAPORATOR COMPARTMENT



DESCRIPTION

	PART NO.
1 Evaporator Assembly	
a. Dice Cube	76-0420-3
b. Half Dice Cube	76-0421-3
2 Water Pump	
a. 230V/60 Hz 1/3PH	20-0810-9
b. 230V/50 Hz 1/3PH	20-0811-9
3 Water Level Probe	
a. Wire, control box to probe	20-0654-9
4 Ice Thickness Control Probe	20-0798-9
5 Magnetic Bin Switch	20-0802-9
6 Water Curtain	20-0681-9
7 Water Distribution Tube Assembly	40-1448-3
a. O-Rings (Back of Distribution Assembly)	76-0219-3
8 Water Trough	50-0464-9
9 Evaporator Top Filler Panel	40-0360-9
10 Access Valve	30-0672-9
11 Evaporator Top Frame Assembly	83-7326-3
12 Water Diverter	76-0220-3
a. Thumbscrew	76-0221-3
Miscellaneous – Brackets, Screws, etc.	
13 Screw, (Water Distribution Tube Mounting) Each	53-0512-3
a. O-Ring	50-0479-9
14 Screw, #12-16 x .687 Used to Mount Evaporator (Each)	50-0462-9
15 Water Pump Base O-Ring	50-0461-9
16 Water Pump Outlet O-Ring	50-0465-9
17 Vinyl Tubing 0.625 ID (dump valve to drain adapter)	50-0467-9
a. Insulation	000001382
	603883-1

S1200 REFRIGERATION COMPARTMENT – COMMON PARTS



DESCRIPTION

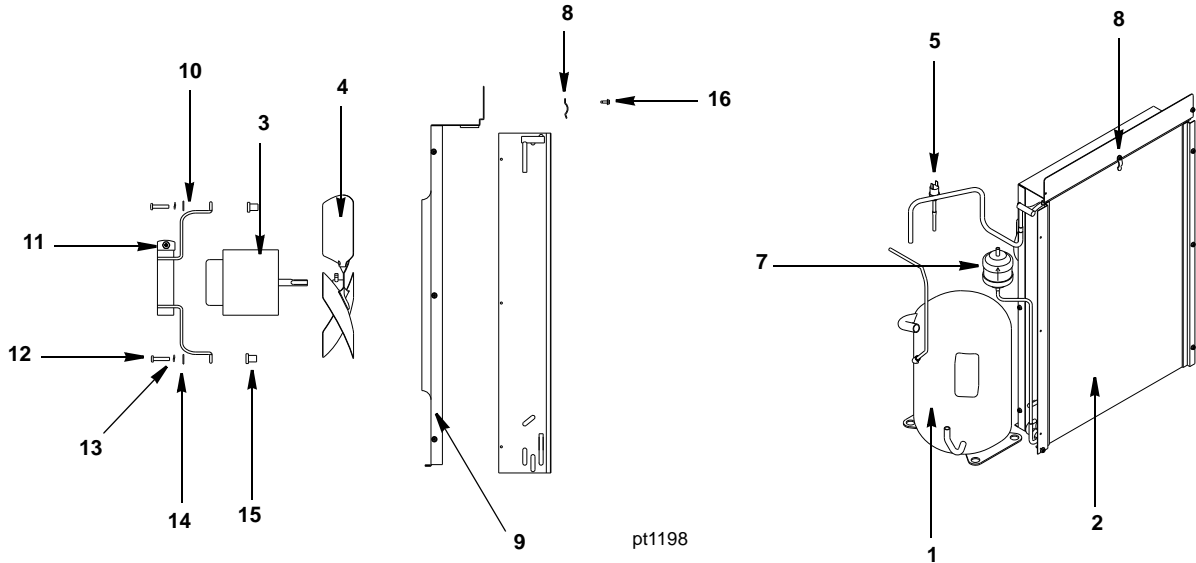
		PART NO.
1	Compressor (After Serial Number 110707329)	
	a. 208-230V/60 Hz/1 Ph	000002366
	b. 208-230V/60 Hz/3 Ph	000002367
	c. 208-230V/50 Hz/1 Ph	000002368
1	Compressor (Before Serial Number 110707329)	
	a. 208-230V/60 Hz/1 Ph	76-0321-3
	b. 208-230V/60 Hz/3 Ph	76-0322-3
	c. 208-230V/50 Hz/1 Ph	76-0323-3
2	Water Dump Valve	
	a. Dump Valve, 208-230V/50-60 Hz	000001768
	b. Dump Valve Rebuild Kit	No Longer Available
3	Harvest Valve	
	a. Harvest Valve Including 208/230V 50/60 Hz Electrical Coil Alco	76-0422-3
	b. Harvest Valve 208/230V 50/60 Hz Coil Only Alco	20-0907-9
4	Water Inlet Valve	
	a. Water Inlet Valve Including 208-230V/50-60 Hz Coil	000000404
5	Expansion Valve	
	a. After Serial Number 110707329	76-0159-9
	b. Before Serial Number 110707329	76-0225-3
6	Manifold Strainer (in front of hot gas valve)	82-5357-9
7	High Pressure Cut-out (Auto Reset)	20-0124-3
8	Electrical Box on Rear of Ice Machine	
	a. Box	Included in Back Panel Assembly
	b. Terminal Block 3 Pole	20-0614-9
	c. Groundscrew #10-24 x .50	52-0216-9
9	Air Compressor	
	a. Air Compressor Pump 230V	000000443
	b. Manifold Tee (Air Pump Tubing Outlet)	40-1173-9
10	Compressor Compartment Wiring Harness	
	Before Serial Number 110707329	
	a. Water	20-0732-9
	b. Air	20-0731-9
	After Serial Number 110707329	
	a. Water	000002328
	b. Air	000002327

Miscellaneous – Brackets, Screws, etc.

11	Dump Valve Mounting Bracket	605845-9
12	Water Inlet Valve Wing Adapter	87-0609-3
13	Water Inlet Valve Wing Adapter Plastic Fitting	13-6096-1
14	Water Drain Female Wing Adapter	87-0608-3
15	Water Drain Clear Tubing, .625 ID x 12 inches	44-2038-3
16	Dump Valve Tubing 3.25 inches.	44-2038-3
17	Compressor Mounting Base.	606170-9
18	Compressor Mounting Rubber Grommet. †	85-0306-9
19	Compressor Mounting Sleeve	85-0394-9
20	Compressor Mounting Bolt.	50-0481-9
21	Compressor Mounting Nut	50-0482-9
22	Compressor Wiring Harness	20-0623-9
23	Clamp, Water Drain	56-5070-9
24	Clamp, Expansion Valve Bulb	56-5052-9
25	Copper Bulb Strap	30-0050-3
26	Expansion Valve Body Insulation Boot.	40-1329-9
27	Expansion Valve Bulb Insulation Boot	40-0720-3
28	Screw, #10-24 x .50	52-0206-9
29	Left Corner Post	606599-9
30	Left Top Channel	606864-9
31	Right Corner Post.	606713-9
32	Right Top Channel	606257-9
33	Insulated Tube (vinyl tubing from distribution tube to water pump & dump valve).	000003408
	a. Clamp .859/.989 ID	56-5060-3
	b. Clamp .799/.899 ID	56-5070-3
34	Water Inlet Valve Tubing	40-1043-9
35	Connector Water Inlet Valve.	13-6098-9
36	Water Inlet Valve Bracket.	605845-9
37	Check Valve Replacement (includes water diverter, vinyl tubing & insulation)	000002473
38	Holder, Water Level Probe	20-0655-9
39	Screw to Mount Water Level Probe Holder	52-0206-9

† Refer to Cross Reference Guide

S1200 REFRIGERATION COMPARTMENT – AIR-COOLED



pt1198

pt1199

DESCRIPTION

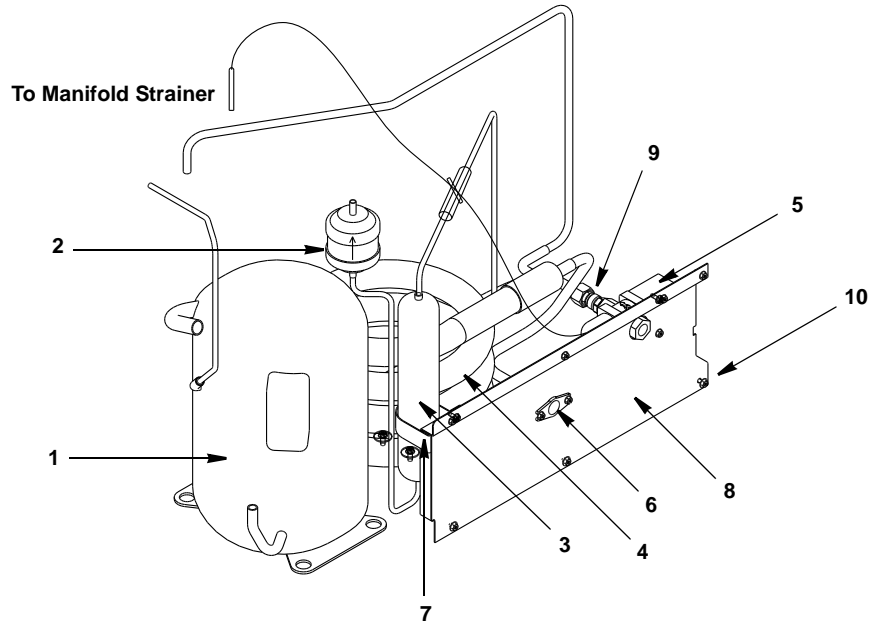
DESCRIPTION	PART NO.
1 Compressor (Refer to COMMON PARTS Page)	Page S1200-4
2 Air Condenser	82-5295-9
3 Fan Motor (208-230V/60 Hz or 230V/50 Hz)	76-2672-3
4 Fan Blade	24-1612-3
5 Fan Cycling Control	† 20-0127-3
6 Air Filter (Not shown)	40-4021-3
7 Drier	89-3024-9

Miscellaneous – Brackets, Screws, etc.

8 Air Filter Clip	† 56-5069-9
9 Fan Shroud	606879-9
10 Fan Motor Mounting Bracket	34-0616-3
11 Fan Motor Mounting Screw	† 50-3358-9
a. Fan Motor Mounting Lockwasher	† 55-4510-9
b. Fan Motor Mounting Hexnut	† 54-2952-9
12 Fan Bracket Mounting Screw	50-3238-9
13 Fan Bracket Mounting Lockwasher	† 55-4510-9
14 Fan Bracket Mounting Flatwasher	† 55-7305-9
15 Fan Bracket Mounting Rubber Wellnut	† 54-2955-9
16 Screw, #10-24 x .50	† 52-0206-9

† Refer to Cross Reference Guide

S1200 REFRIGERATION COMPARTMENT – WATER-COOLED



pt1200

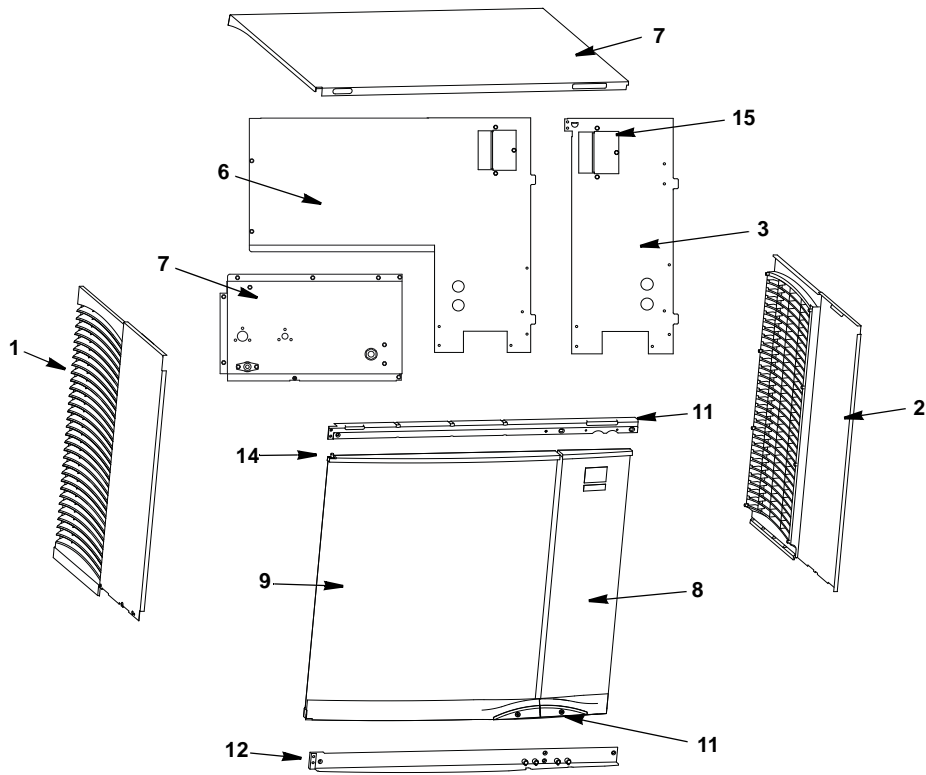
DESCRIPTION

DESCRIPTION	PART NO.
1 Compressor (Refer to COMMON PARTS Page)	Page S1200-4
2 Drier	89-3024-9
3 Receiver	89-0012-3
4 Water-Cooled Condenser	000001508
5 Water Regulating Valve	83-7212-3
6 Water Drain Female Wing Adapter	87-0608-3

Miscellaneous – Brackets, Screws, etc.

7 Receiver Strap	600054-1
8 Back Panel	606918-9
9 Brass Fitting	83-3419-3
10 Screw, #10-24 x .50	52-0206-9
11 Washer	55-7341-9
12 Base, Water Condenser/Receiver	606905-1

S1200 PANELS



DESCRIPTION

	PART NO.
1 Left Side Panel	606057-9
2 Right Side Panel	606056-9
Air-Cooled Back Panels)	
3 Back Panel with Electrical Connection Box, Air-cooled Models	606938-9
4 Air Filter (Not Shown)	40-4021-3
5 Air Baffle (Not Shown)	607137-9
Water-Cooled Back Panels)	
6 Back Panel with Electrical Connection Box, Water-cooled Models	000000334
7 Back Coupling Panel, Water Connections	606918-9
Aluminum Front Top Support on machine (replace all)	
8 Top Cover	40-1548-3
9 Right Door	607170-1
10 Left Door	607169-1
11 Front Top Rail	000000295
Mounting Screw Left Side 8-32 x 1	50-0537-9
Mounting Screw Right Side 10-24 x .50	50-0509-9
Plastic Front Top Support on machine (replace as needed)	
7 Top Cover	40-1548-3
8 Right Door	607170-1
9 Left Door	607169-1
10 Front Top Rail	000000295
Mounting Screw Left Side 8-32 x 1	50-0537-9
Mounting Screw Right Side 10-24 x .50	50-0509-9
Miscellaneous – Brackets, Screws, etc.	
11 Right/Left Door Screw	50-0489-9
12 Bottom Door Frame	76-0226-3
a. Mounting Screw Left Side 8-32 x 1 PHIL	50-0537-9
b. Mounting Screw Right Side 10/24 x .50 PHIL	52-0209-9
13 Door Catch Bracket (RHD)	606236-9
a. Mounting Screw 8-32 x .50 Phil	50-2624-9
14 Left Door Pivot Leaf Hinge (Top or Bottom)	30-0557-9
a. Mounting Screw 8-32 x 1 PHIL	50-0537-9
15 Electrical Connection Box Cover	Included in Back Panel Assembly
16 Sachet Holder (inside left door)	40-0459-9
a. Screws	50-0479-9