

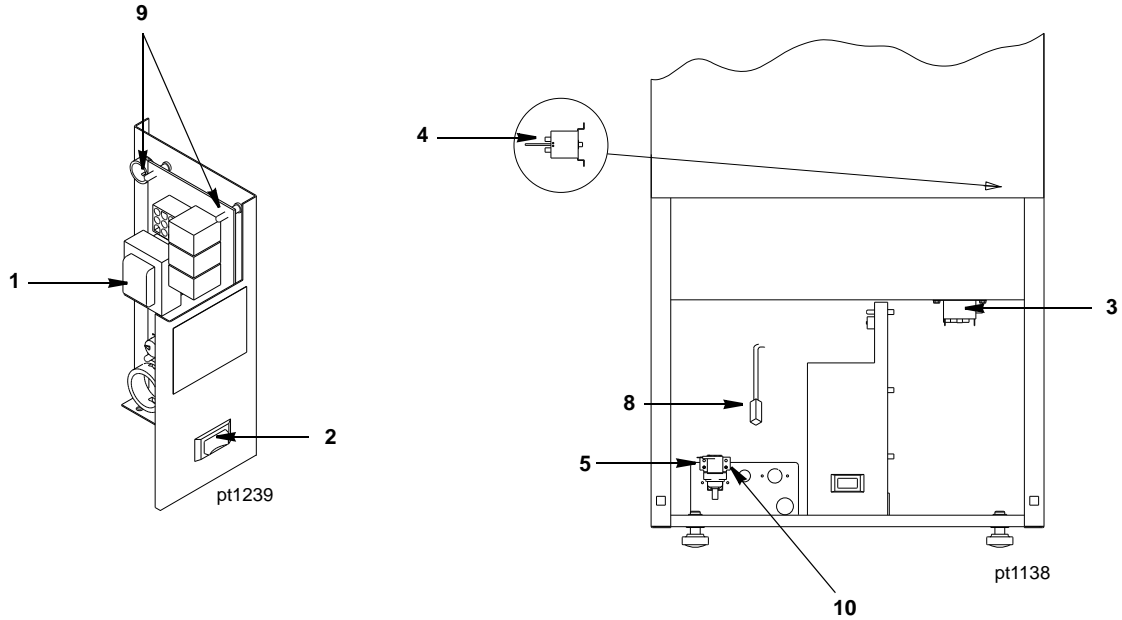


**Ice Machine Parts List for
Series QM30 Models**

QM30A

QM30AE

QM30 CONTROL BOX

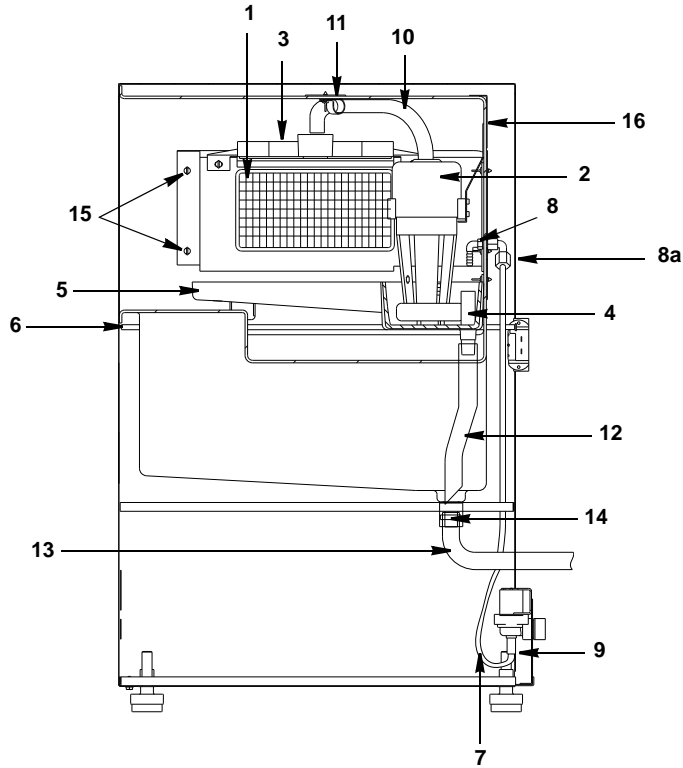


DESCRIPTION

	PART NO.
1 Control Board (for use with all voltages)	76-2924-3
a. Fuse – Mounted on Control Board (Not shown)	† 25-1137-3
2 Toggle Switch	23-0151-3
3 Relay (Used on 115V Only)	85-0553-3
4 Bin Control (Thermostat)	† 76-2966-1
5 Water Inlet Valve	
a. 115V/60 Hz Assembly	† 24-0530-3
b. 230V/50 Hz	24-0531-3
c. Compression Nut (Package of 2)	† 56-5072-9
6 Wire Harness (Not shown)	
a. 115V/60 Hz	20-3274-3
b. 230V/50 Hz	20-3273-3
7 Electric Cord (Not shown)	
a. 115V/60 Hz	20-3266-3
b. 230V/50 Hz	20-3269-3
8 Thermistor (Mounted to Refrigeration Line)	23-5131-3
Miscellaneous – Brackets, Screws, etc.	
9 Control Board Mounting Supports	43-0225-3
10 Screw #10-24 x .50 (Used to Mount Water Inlet Valve)	† 52-0206-9

† Refer to Cross Reference Guide

QM30 EVAPORATOR ASSEMBLY



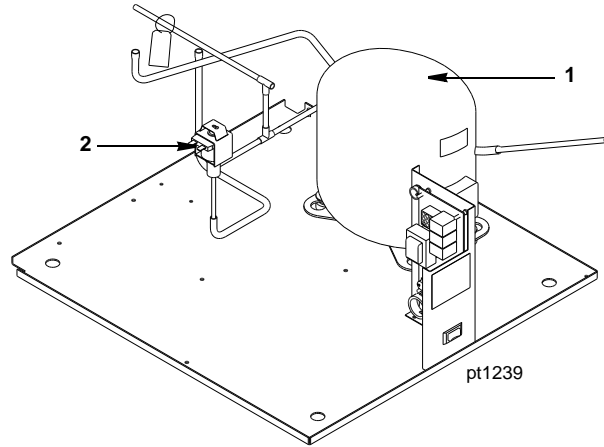
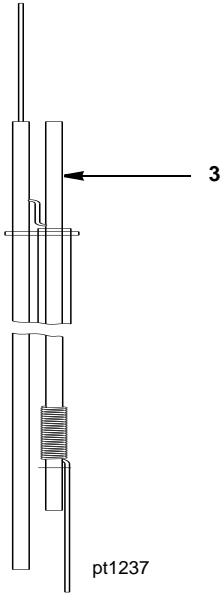
pt1734

DESCRIPTION

	PART NO.
1 Evaporator Assembly	
a. Dice Cube	76-2792-3
2 Water Pump	
a. 115V/60 Hz	† 20-0142-3
b. 230V/50 Hz	† 20-0141-3
3 Water Distributor	† 76-2940-3
4 Water Drain Stand Pipe	† 43-0376-3
5 Water Trough	43-0411-3
Miscellaneous – Brackets, Screws, etc.	
6 Bin Control (Thermostat) Tube	000000112
7 Water Inlet Tubing (.25 OD)	44-2029-1
8 Water Inlet Elbow (90° Barbed w/Male Nut)	83-9013-3
a. Water Inlet Elbow (90° Female w/Nut)	83-9014-3
9 Water Inlet Tubing Compression Nut on Water Inlet Valve (Package of 2)	† 56-5072-9
10 Water Pump Out Tubing (.50 ID)	44-2130-3
11 Water Pump Out Tubing Clamp	56-5010-1
12 Stain Pipe Drain Tubing (.625 ID)	† 44-2038-3
13 Water Trough Drain Tubing (.625 ID)	44-2085-3
14 Water Trough Drain Tubing Clamp	† 56-5070-9
15 Thumbscrew	† 50-1216-9
16 Screw #10-24 x .50	† 52-0206-9
17 Thumbscrew for Water Trough and Water Distributor (Stainless Steel Head)	50-1216-9
a. Thumbscrew for Water Trough and Water Distributor (Plastic Head)	53-0512-3

† Refer to Cross Reference Guide

QM30 REFRIGERATION COMPARTMENT – COMMON PARTS



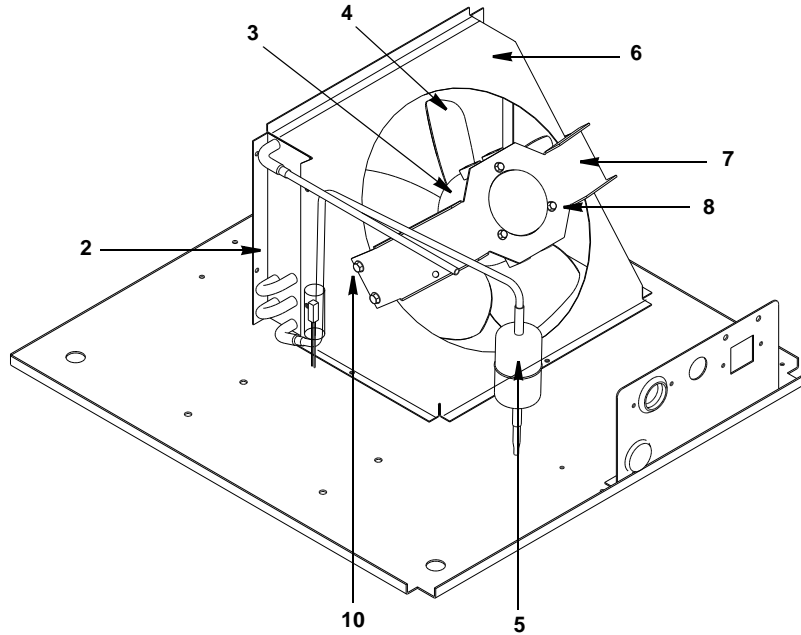
DESCRIPTION

PART NO.

1 Compressor		
a. 115V/60 Hz/1 Ph	†	76-2918-3
b. Overload for Compressor	†	85-0568-3
c. Relay		85-0570-3
d. 230V/50 Hz/1 Ph	†	76-2919-3
e. Overload	†	85-0550-3
f. Relay		85-0569-3
2 Hot Gas Valve		
a. Hot Gas Valve Body Assembly 115V	†	76-2963-3
b. Hot Gas Valve 115V Coil Only (Ranco)		24-0523-3
c. Hot Gas Valve 115V Coil Only (Alco)		No Longer Available
d. Hot Gas Valve Assembly 230V/50-60 Hz	†	76-2964-3
e. Hot Gas Valve 230V/50 Hz Coil Only (Ranco)		24-0518-3
f. Hot Gas Valve 220V Coil Only (Alco)		No Longer Available
g. Coil Clamp		24-0519-3
3 Suction Line/Cap Tube Assembly		76-2920-3

† Refer to Cross Reference Guide

QM30 REFRIGERATION COMPARTMENT – AIR-COOLED



pt1242

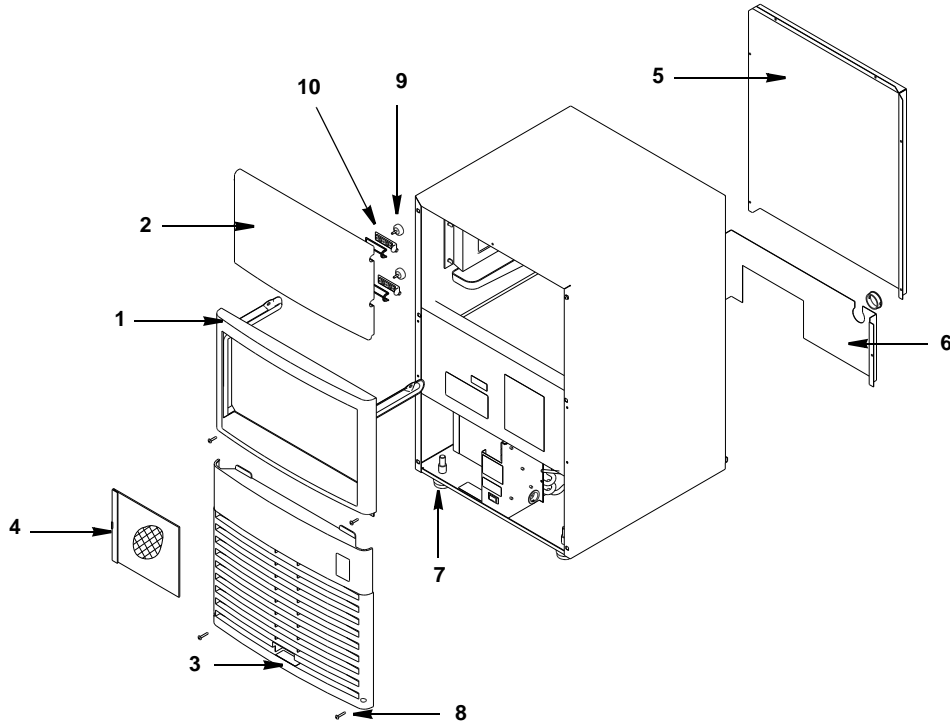
DESCRIPTION

PART NO.

1	Compressor (Refer to COMMON PARTS Page)	Page 4
2	Air Condenser	88-5135-3
3	Fan Motor	
	a. 115V	† 76-2961-3
	b. 230V/50 Hz	† 76-2962-3
4	Fan Blade	24-1624-3
5	Drier	† 89-3025-9
Miscellaneous – Brackets, Screws, etc.		
6	Fan Shroud	602938-1
7	Fan Motor Mounting Bracket	602940-1
8	Screw, #8-36 x 7/16	† 50-2559-9
9	Speed Nut to Mount Fan Blade (Not shown)	† 54-7507-9
10	Screw, #10-24 x .50	† 52-0206-9

† Refer to Cross Reference Guide

QM30 PANELS



pt1243

DESCRIPTION

DESCRIPTION	PART NO.
1 Door Frame Assembly	43-0407-3
2 Door	43-0408-3
3 Front Panel	76-2921-3
4 Air Filter	76-2922-3
5 Back Panel, Upper	† 604710-1
6 Back Panel, Lower	602946-1
7 Leg Leveler	33-0261-3

Miscellaneous – Brackets, Screws, etc.

8 Front Panel Screw	† 52-0223-9
9 Door Thumbscrew	50-1235-3
10 Door Pin (Includes Gasket)	76-2923-3
11 Ice Scoop (Not shown)	33-0258-3