



**Ice Machine Parts List for
Series Q210 Models**

QR0210A

QD0213W

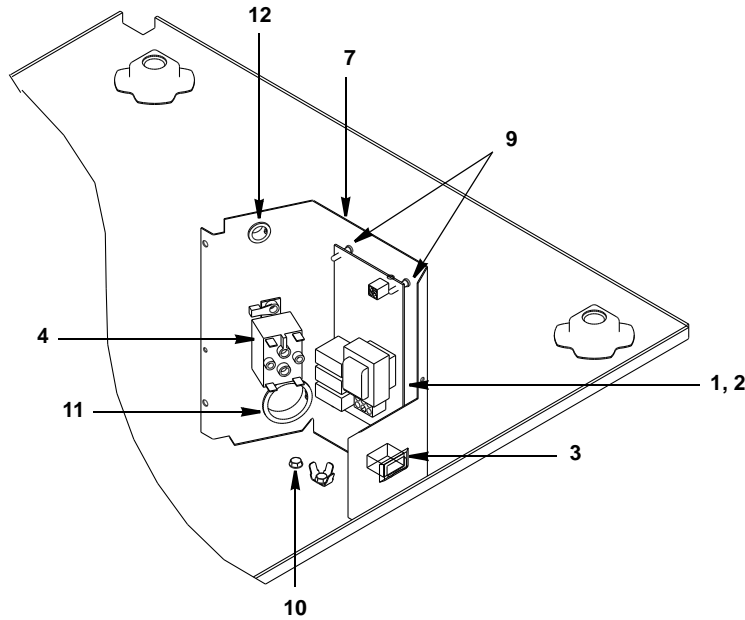
QR0211W

QY0214A

QD0212A

QY0215W

Q210 CONTROL BOX



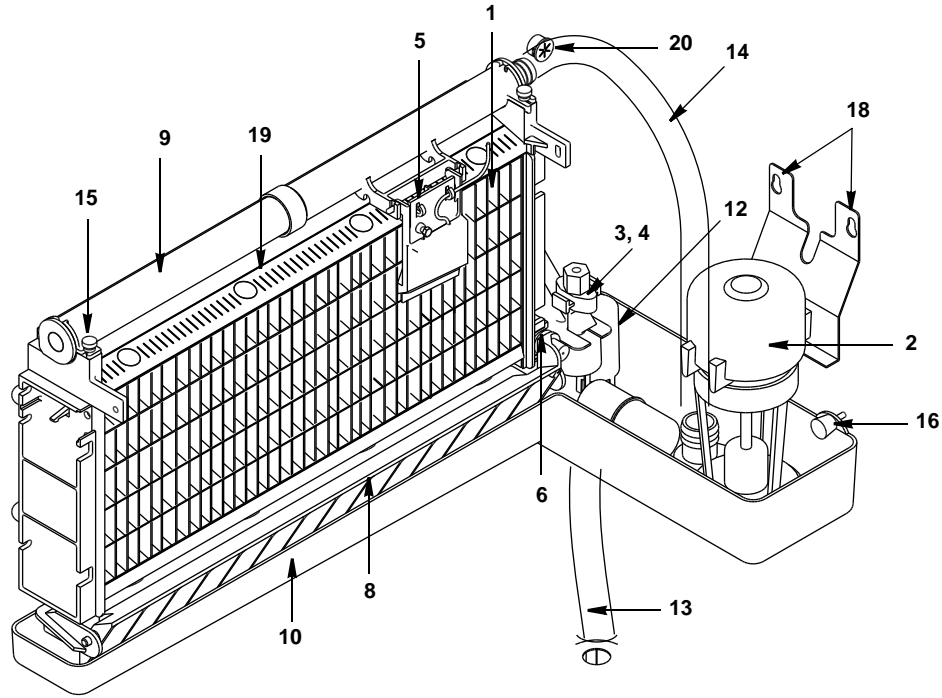
pt1262

DESCRIPTION

| DESCRIPTION | PART NO. |
|--|-------------|
| 1 Control Board (for use with all voltages) | † 76-2907-3 |
| 2 10 Amp Fuse – Mounted on Control Board | 25-1149-3 |
| 3 Toggle Switch Only | 23-0151-3 |
| a. Wiring Harness for Toggle Switch | 20-3248-3 |
| 4 Contactor | |
| a. 115V/60 Hz/1 Ph. | 76-0083-3 |
| b. 230V/50/60 Hz/1 Ph | 76-0084-3 |
| 5 Wiring Harness | |
| a. Air-Cooled (Not shown) | 20-3246-3 |
| b. Water-Cooled (Not shown) | 20-3271-3 |
| c. Ice Thickness Control Probe (Wire Lead and Connectors Only) | 20-0701-3 |
| Ice Thickness Control Probe (Wire Lead and Connectors Only) | 76-0160-3 |
| 6 Power Cord | |
| a. 125V/60 Hz (Not shown) | 20-3266-3 |
| b. 230V/60 Hz (Not shown) | 20-3270-3 |
| c. 230V/50 Hz (Not shown) | 20-3269-3 |
| Miscellaneous – Brackets, Screws, etc. | |
| 7 Control Box | † 604693-1 |
| 8 Control Box Cover (Not shown) | 76-2908-3 |
| 9 Control Board Mounting Supports | 43-0225-3 |
| 10 Screw, #10-24 x .50 Ground | 52-0224-3 |
| 11 Bushing | † 25-0013-9 |
| 12 Bushing | † 25-0218-9 |

† Refer to Cross Reference Guide

Q210 EVAPORATOR COMPARTMENT



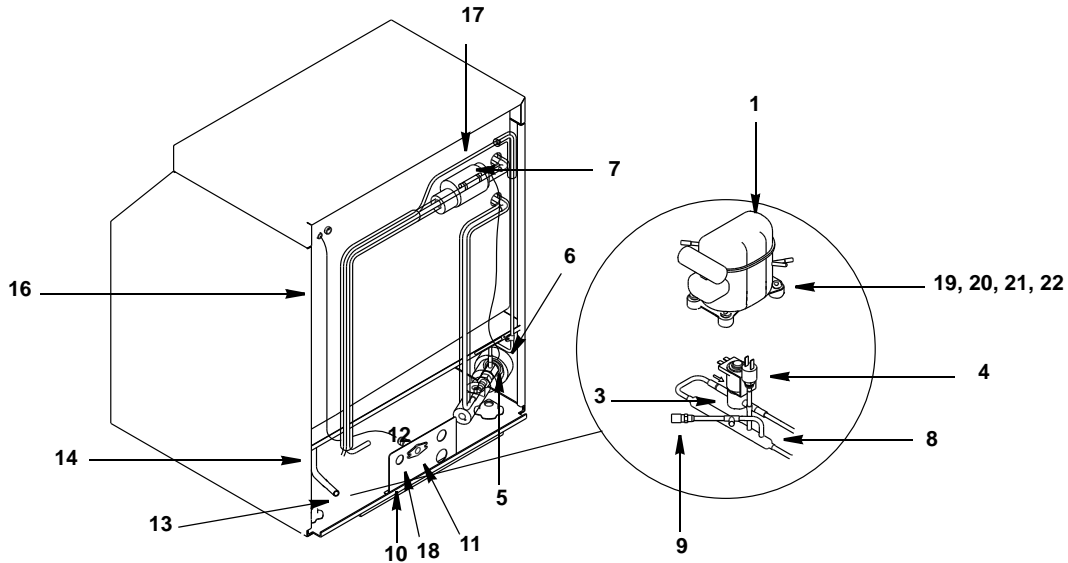
pt1258

DESCRIPTION

| | DESCRIPTION | | PART NO. |
|----|--|---|-----------|
| 1 | Evaporator Assembly | | |
| | a. Regular Cube | † | 76-2954-9 |
| | b. Dice Cube | † | 76-2955-9 |
| | c. Half Dice Cube | † | 76-2956-9 |
| 2 | Water Pump | | |
| | a. 115V/60 Hz | † | 76-2306-3 |
| | b. 208-230V/60 Hz or 230V/50 Hz | † | 76-2601-3 |
| 3 | Float Valve (Complete Assembly) - Up to Serial Number 031100000 | † | 76-0213-3 |
| 4 | Float Valve (Complete Assembly) - After Serial Number 031100000 | | 83-6904-9 |
| | a. Float Valve Screen | † | 83-6906-9 |
| | b. Float Valve Plunger | † | 83-6908-9 |
| | c. Float Valve Compression Nut | † | 56-5072-9 |
| 5 | Ice Thickness Control Probe | † | 76-0160-3 |
| 6 | Magnetic Bin Switch (Mounted to Evaporator) | † | 23-0148-3 |
| 7 | Water Flow Clamp (Not shown) | | 76-2054-3 |
| 8 | Ice Damper | † | 76-0048-3 |
| | a. Ice Damper Magnet and Cap | | 76-2909-3 |
| 9 | Water Distribution Tube | † | 76-2498-3 |
| 10 | Water Trough | | 43-0386-3 |
| 11 | Water Inlet Tubing (Not shown) | | 44-2029-1 |
| 12 | Siphon Cap | | 43-0222-3 |
| | Miscellaneous – Brackets, Screws, etc. | | |
| 13 | Drain Tube | † | 76-0085-3 |
| 14 | Tubing (Water Pump Out) | | 40-1205-3 |
| 15 | Screw, #8-32 x .63 Nylon Water Distribution Tube Mounting | † | 50-0001-3 |
| 16 | Thumbscrew, #8-32 x .625 | | 53-0510-3 |
| 17 | Screw, #10-24 x .750 – Used to Mount Evaporator (Not shown) | † | 52-0218-9 |
| 18 | Screw, #10-24 x .50 | † | 52-0206-9 |
| 19 | Evaporator Top Molding and Gasket Assembly | | 76-2621-3 |
| 20 | Bushing (Ice Thickness Probe Wire) | † | 25-0016-9 |
| 21 | Water Pump Lead (Not Shown) | | 20-7806-3 |

† Refer to Cross Reference Guide

Q210 REFRIGERATION COMPARTMENT – COMMON PARTS



pt1259

DESCRIPTION

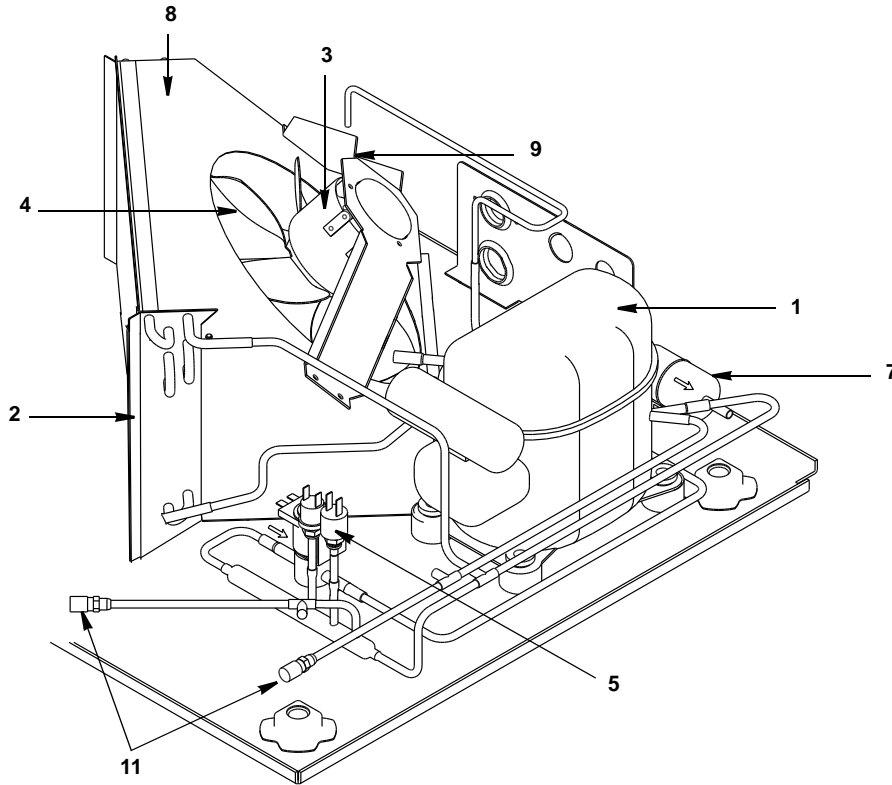
PART NO.

NOTE: Replace a Tecumseh compressor/start components with a Tecumseh compressor/start components and a Danfoss compressor/start components with a Danfoss compressor/start components.
DO NOT INTERCHANGE COMPRESSORS OR START COMPONENTS.

| | |
|--|-------------|
| 1 Tecumseh Compressor | |
| a. 115V/60 Hz/1 Ph | † 76-2910-3 |
| Overload for Compressor | 85-0562-3 |
| Starting Device (Tecumseh) | 85-0565-3 |
| Start Capacitor (Tecumseh) | 85-0580-3 |
| b. 208/230V 60 Hz/1 Ph (Tecumseh) | † 76-2911-3 |
| Overload for Compressor | 85-0576-3 |
| Starting Device (Tecumseh) | 85-0566-3 |
| Start Capacitor (Tecumseh) | 85-0580-3 |
| c. 224/240V 50 Hz/1 Ph (Tecumseh) | † 76-2912-3 |
| Overload for Compressor | 85-0564-3 |
| Starting Device (Tecumseh) | † 85-0566-3 |
| Start Capacitor (Tecumseh) | 85-0581-3 |
| 2 Danfoss Compressor | |
| a. 115V/60 Hz/1 Ph (Danfoss) | 76-0132-3 |
| Start Relay with Overload (Danfoss) | 20-0204-3 |
| Start Capacitor (Danfoss) | 20-0203-3 |
| b. 208/230V 60 Hz/1 Ph (Danfoss) | 76-0133-3 |
| Start Relay with Overload (Danfoss) | 20-0487-3 |
| Start Capacitor (Danfoss) | 20-0486-3 |
| c. 224/240V 50 Hz/1 Ph (Danfoss) | 76-0133-3 |
| Start Relay with Overload (Danfoss) | 20-0487-3 |
| Start Capacitor (Danfoss) | 20-0486-3 |
| 3 Hot Gas Valve | |
| a. Hot Gas Valve Including 115V 60 Hz Electrical Coil (Danfoss) | † 76-3000-1 |
| b. Hot Gas Valve 115V Coil Only Danfoss | 000002048 |
| c. Hot Gas Valve 115V Coil Only Alco | 24-0436-3 |
| d. Hot Gas Valve Including 208/230V 50/60 Hz Electrical Coil (Danfoss) | † 76-3006-1 |
| e. Hot Gas Valve 208/230V 50/60 Hz Coil Only Danfoss | 000002049 |
| f. Hot Gas Valve 208/230V 50/60 Hz Coil Only Alco | † 24-0448-3 |
| 4 High Pressure Cut-out | † 20-0124-3 |
| 5 Expansion Valve | † 76-0017-3 |
| 6 Expansion Valve Body Insulation Boot | |
| a. Alco | 40-0721-3 |
| b. Danfoss | 40-0036-3 |
| 7 Expansion Valve Bulb Insulation Boot | 40-0720-3 |
| 8 Manifold Strainer (in front of hot gas valve) | 83-1016-3 |
| 9 Access Valve | 83-7325-3 |
| Miscellaneous – Brackets, Screws, etc. | |
| 10 Bracket (Water/Electrical Inlet) | 602682-1 |
| 11 Water Inlet Female Wing Adapter | † 87-0609-3 |
| 12 Male Connector 1/4" OD x 1/8" NTPF | 13-6096-1 |
| 13 Bin Drain Female Wing Adapter after Serial Number 980860665 | 87-0608-3 |
| 14 Bin Drain Tubing (Molded) | |
| a. Up To Serial Number 980860665 | 44-2085-3 |
| b. After Serial Number 980860665 | 44-2098-3 |
| 15 Bin Drain Hose Clamp (Not shown) | † 56-5064-9 |
| 16 Water Inlet Tubing .375 ID | 44-2029-1 |
| 17 Clamp, Expansion Valve Bulb | † 56-5052-9 |
| 18 Screw, #10-24 x .50 | † 52-0206-9 |
| 19 Compressor Mounting Rubber Grommet | † 85-0306-9 |
| 20 Compressor Mounting Washer | † 55-7309-9 |
| 21 Compressor Hex Head Cap Screw | † 50-3770-9 |
| 22 Compressor Mounting Sleeve 3/8" ID x 1.031 | † 85-0394-9 |

† Refer to Cross Reference Guide

Q210 REFRIGERATION COMPARTMENT – AIR-COOLED



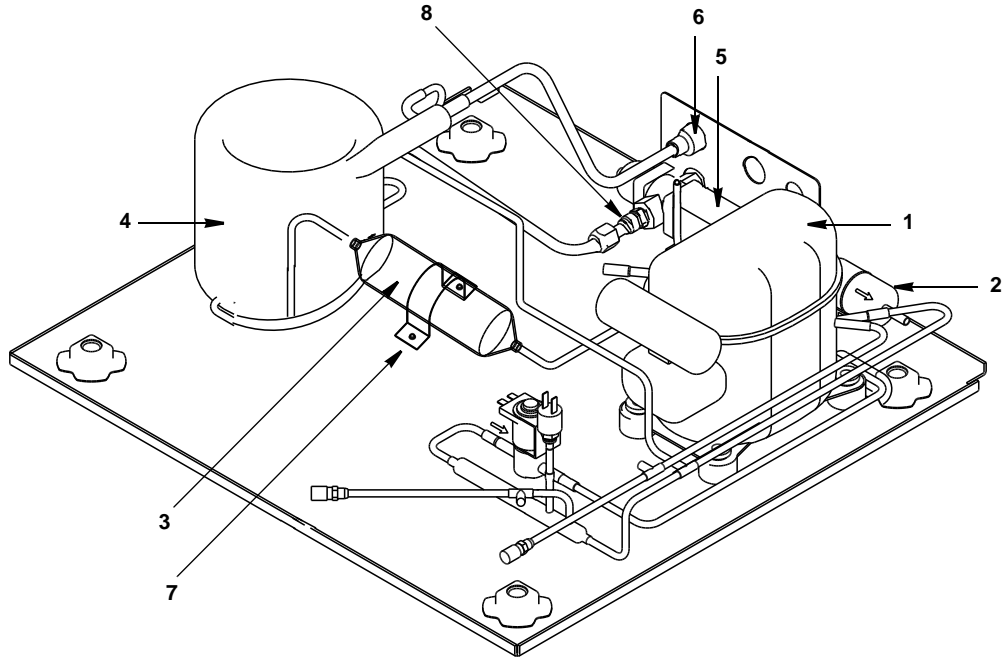
pt1261

DESCRIPTION

| | | | PART NO. |
|---|--|-------|-----------------|
| 1 | Compressor (Refer to COMMON PARTS Page) | | Page 4 |
| 2 | Air Condenser | | 88-5132-3 |
| 3 | Fan Motor | | |
| | a. 115V | | 24-1308-9 |
| | b. 208-230V/60 Hz or 230V/50 Hz | | 24-1309-9 |
| 4 | Fan Blade | | 24-1624-3 |
| 5 | Fan Cycling Control | | † 20-0127-3 |
| 6 | Air Filter (Not shown) | | 76-2914-3 |
| 7 | Drier | | † 89-3025-9 |
| Miscellaneous – Brackets, Screws, etc. | | | |
| 8 | Fan Shroud | | 602685-1 |
| 9 | Fan Motor Mounting Bracket | | 602743-1 |
| 10 | Speed Nut to Mount Fan Blade (Not shown) | | † 54-7507-9 |
| 11 | Access Valve | | 83-7325-3 |

† Refer to Cross Reference Guide

Q210 REFRIGERATION COMPARTMENT – WATER-COOLED



pt1260

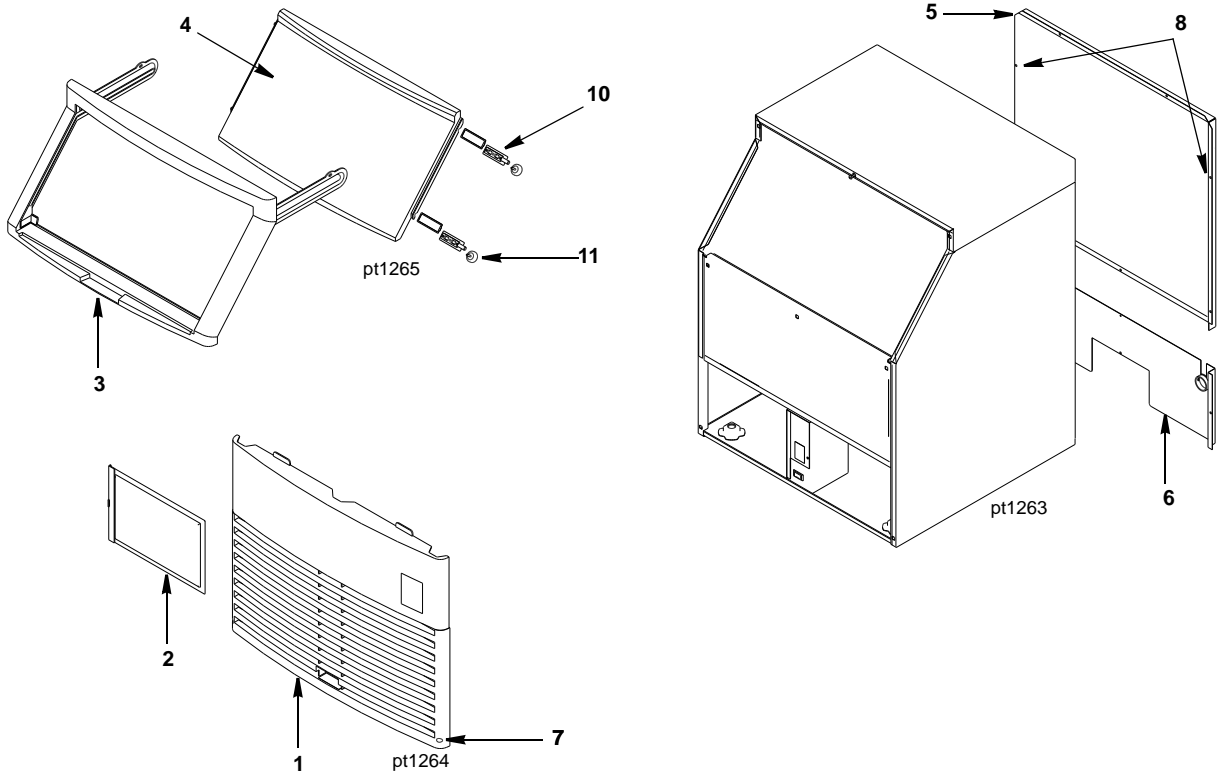
DESCRIPTION

| | | |
|---|--|--|
| 1 | Compressor (Refer to COMMON PARTS Page) | |
| 2 | Drier | |
| 3 | Receiver | |
| 4 | Water-cooled Condenser (use with Danfoss Compressor) | |
| | a. Water-cooled Condenser (use with Tec Compressor) | |
| 5 | Water Regulating Valve | |
| 6 | Water Drain Female Wing Adapter | |
| Miscellaneous – Brackets, Screws, etc. | | |
| 7 | Receiver Strap | |
| 8 | Water Coupling | |

PART NO.

| |
|-----------|
| Page 4 |
| 89-3025-9 |
| 12-0003-1 |
| 88-6532-3 |
| 88-6531-3 |
| 83-7210-3 |
| 87-0610-3 |
| 600189-1 |
| 83-3202-3 |

Q210 PANELS



DESCRIPTION

| | PART NO. |
|--|-----------------|
| 1 Front Panel Assembly | 76-2915-3 |
| 2 Air Filter | 76-2914-3 |
| 3 Door Frame Assembly | 76-2916-3 |
| 4 Bin Door* | † 43-0456-3 |
| 5 Back Panel, Upper | 602680-1 |
| 6 Back Panel, Lower | |
| a. Up To Serial Number 980860665 | 602717-1 |
| b. After Serial Number 980860665 | 603350-1 |
| Miscellaneous – Brackets, Screws, etc. | |
| 7 Front Cover Screw | † 52-0223-9 |
| 8 Screw, #10-24 x .50 | † 52-0206-9 |
| 9 Ice Scoop (Not shown) | † 33-0260-3 |
| 10 Door Pin Gasket and Door Pin Assembly | 76-2917-3 |
| 11 Door Pin Thumbscrews | 50-1235-3 |

*If you are replacing a door with a “screw in” removable door pin, you must order door P/N 43-0456-3 and door frame P/N 76-2916-3. If you are replacing a door with a molded non-removable door pin, order door P/N 43-0456-3 only.

INTENTIONALLY LEFT BLANK