



**Ice Machine Parts List for  
Series Q200 Models**

**QR0200A**

**QD0203W**

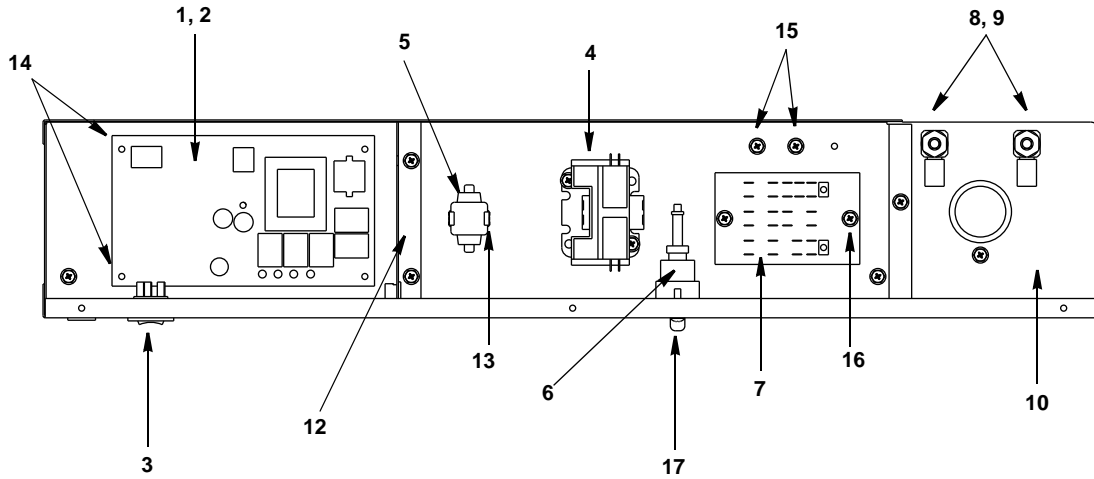
**QR0201W**

**QY0204A**

**QD0202A**

**QY0205W**

## Q200 CONTROL BOX



pt1150

### DESCRIPTION

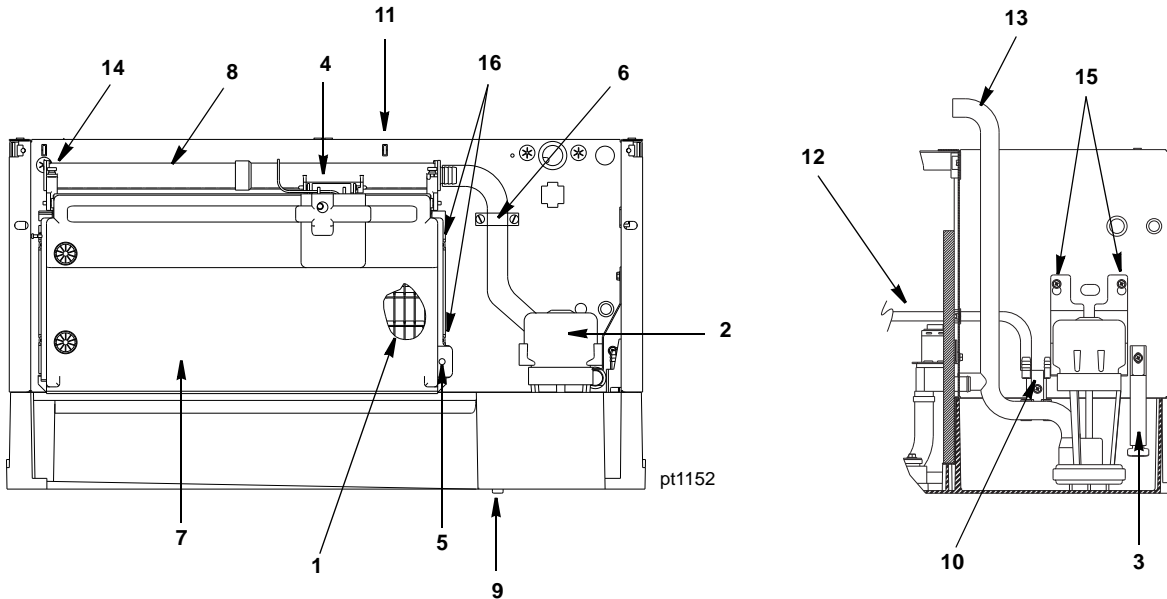
	<b>PART NO.</b>
1 Control Board (for use with all voltages) . . . . .	† 76-2782-3
2 7 Amp Fuse – Mounted on Control Board . . . . .	25-1100-3
3 <b>Toggle Switch Only</b> . . . . .	23-0134-3
a. Toggle Switch with Wiring Harness Attached . . . . .	20-3217-3
4 <b>Contactor</b>	
a. 115V/60 Hz/1 Ph. . . . .	† 20-0658-9
b. 208-230V/60 Hz/1 Ph or 230V/50 Hz/1 Ph . . . . .	† 20-0657-9
5 P.T.C.R. Compressor Starter . . . . .	85-0500-3
6 High Pressure Cut-out (Refrigeration System) . . . . .	† 23-5536-9
7 <b>Terminal Board with Wire Harness Attached</b>	
a. 115V/60 Hz or 230V/60 Hz/1 Ph. . . . .	20-3244-3
b. 50 Hz/1 Ph . . . . .	20-3245-3
8 Refrigeration Service Valve Assembly . . . . .	83-7324-3

### Miscellaneous – Brackets, Screws, etc.

9 Locknut Used to Mount Refrigeration Service Valves . . . . .	† 54-7503-9
10 Control Box . . . . .	602442-1
11 Control Box Cover (Not shown) . . . . .	76-2805-3
12 Control Box Partition . . . . .	602436-1
13 P.T.C.R. Compressor Starter Mounting Bracket . . . . .	85-0502-3
14 Control Board Mounting Supports . . . . .	43-0225-3
15 Screw, #10-24 x .50 Ground . . . . .	† 52-0216-9
16 Screw, #10-24 x .50 Hex Head . . . . .	† 52-0206-9
17 Screw Used to Mount High Pressure Cut-out . . . . .	† 51-2166-9

† Refer to Cross Reference Guide

## Q200 EVAPORATOR COMPARTMENT

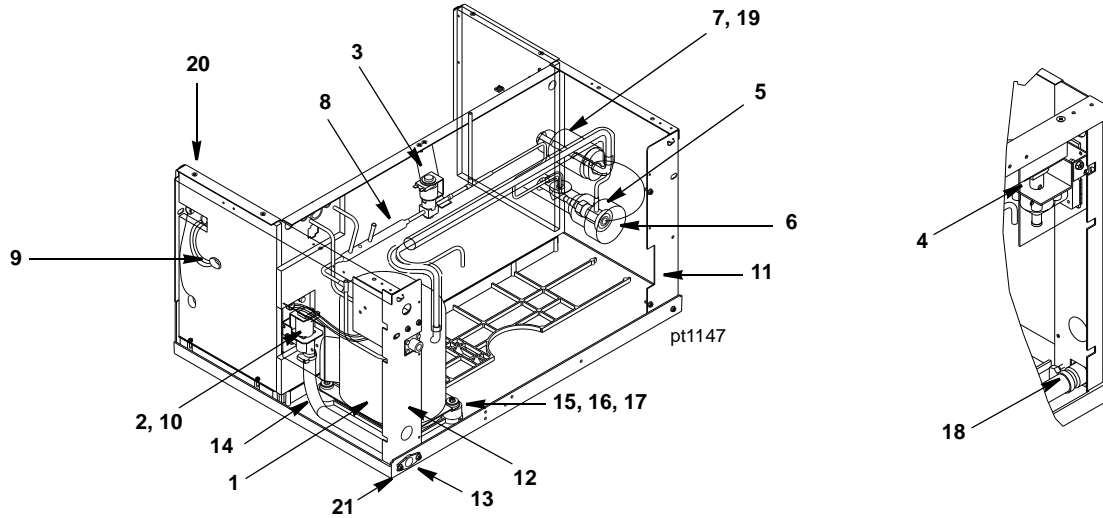


### DESCRIPTION

			<b>PART NO.</b>
1	<b>Evaporator Assembly</b>		
	a. Regular Cube .....	†	76-2585-9
	b. Dice Cube .....	†	76-2584-9
	c. Half Dice Cube .....	†	76-2658-9
2	<b>Water Pump</b>		
	a. 115V/60 Hz .....	†	76-2306-3
	b. 208-230V/60 Hz or 230V/50 Hz .....	†	76-2601-3
3	Water Level Probe .....		25-1129-3
4	Ice Thickness Control Probe .....	†	76-2781-3
5	Magnetic Bin Switch (Mounted to Evaporator) .....	†	23-0148-3
6	Water Flow Clamp (Use on Regular Cube Evap. Only) .....		76-2054-3
7	Water Curtain .....		40-0478-3
	a. Water Curtain Magnet and Clip .....	†	76-2802-3
	b. Water Curtain Hanger .....		76-2776-3
8	Water Distribution Tube .....	†	76-2498-3
9	Water Trough Drain Plug .....	†	43-0062-9
10	Water Inlet Flow Tube .....		43-0388-3
<b>Miscellaneous – Brackets, Screws, etc.</b>			
11	Nylon Spring Clip .....	†	56-5090-9
12	Water Inlet Tubing .375 ID .....		44-2123-3
13	Tubing (Water Pump Out) .....		44-2113-3
14	Screw, #8-32 x .63 Nylon Water Distribution Tube Mounting .....	†	50-0001-3
15	Screw, #10-24 x .50 .....	†	52-0206-9
16	Screw, #10-24 x .750 Used to Mount Evaporator .....	†	52-0218-9
17	Base and Water Trough Repair Kit .....	†	76-2806-3
18	Evaporator Top Molding and Gasket Assembly .....		76-2621-3

† Refer to Cross Reference Guide

## Q200 REFRIGERATION COMPARTMENT – COMMON PARTS

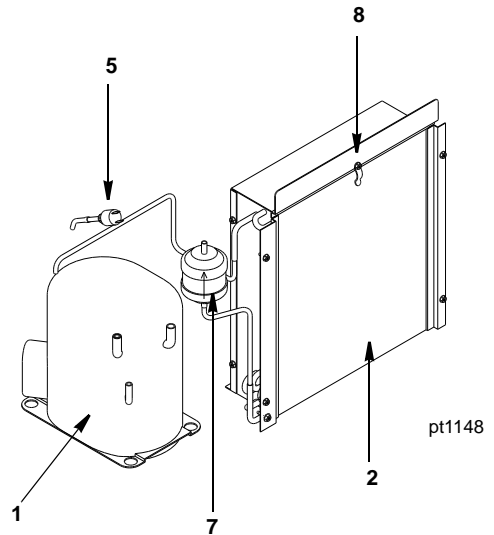
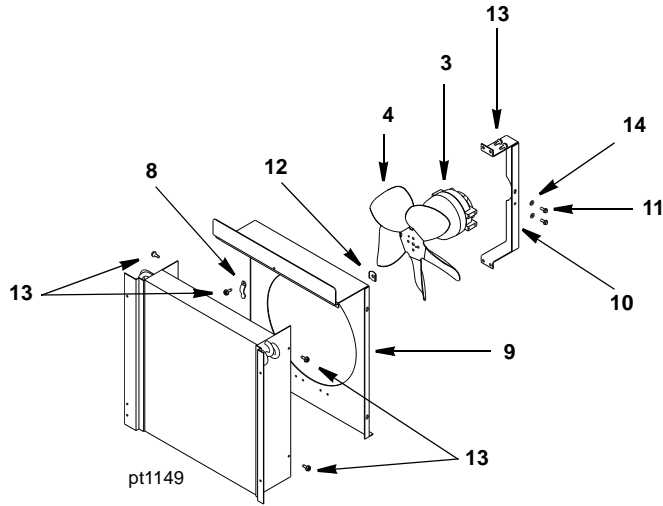


### DESCRIPTION

	PART NO.
<b>1 Compressor</b>	
a. 115V/60 Hz/1 Ph. . . . .	† 76-2752-3
b. Overload for Compressor 76-2752-3 . . . . .	85-0541-3
c. 208/230V/60 Hz/1 Ph . . . . .	† 76-2754-3
d. Overload for Compressor 76-2754-3 . . . . .	85-0542-3
e. 230V/50 Hz/1 Ph . . . . .	† 76-2753-3
<b>2 Water Dump Valve</b>	
a. Dump Valve, 115V . . . . .	000001767
b. Dump Valve, 208/230V 50/60 Hz . . . . .	000001768
c. Dump Valve Rebuild Kit . . . . .	No Longer Available
<b>3 Hot Gas Valve</b>	
a. Hot Gas Valve Including 115V 60 Hz Electrical Coil (Danfoss) . . . . .	† 76-3001-1
b. Hot Gas Valve 115V Coil only Danfoss. . . . .	000005156
c. Hot Gas Valve 115V Coil only Alco. . . . .	24-0436-3
d. Hot Gas Valve Including 208/230V 50/60 Hz Electrical Coil (Danfoss) . . . . .	† 76-3007-1
e. Hot Gas Valve 208/230V 50/60 Hz Coil Only Danfoss . . . . .	000005157
f. Hot Gas Valve 208/230V 50/60 Hz Coil Only Alco . . . . .	† 24-0448-3
<b>4 Water Inlet Valve</b>	
a. Water Inlet Valve Including 115V Coil . . . . .	76-0112-3
b. Water Inlet Valve Including 208/230V 50/60 Hz Coil . . . . .	76-0113-3
c. Water Inlet Valve Rebuild Kit . . . . .	24-0538-3
<b>5 Expansion Valve</b> . . . . .	† 76-2583-3
<b>6 Expansion Valve Body Insulation Boot</b> . . . . .	40-0721-3
<b>7 Expansion Valve Bulb Insulation Boot</b> . . . . .	40-0720-3
<b>8 Manifold Strainer (in front of hot gas valve)</b> . . . . .	83-1016-3
<b>9 Water Pump Electrical Wire Lead</b> . . . . .	† 20-7810-3
<b>Miscellaneous – Brackets, Screws, etc.</b>	
<b>10 Dump Valve Mounting Bracket</b> . . . . .	602354-1
<b>11 Left Corner Post Weldment</b> . . . . .	602177-1
<b>12 Right Corner Post Weldment</b> . . . . .	602176-1
<b>13 Water Drain Female Wing Adapter</b> . . . . .	87-0608-3
<b>14 Water Drain Vinyl Tubing, .625 ID</b> . . . . .	† 44-2038-3
<b>15 Compressor Mounting Rubber Grommet</b> . . . . .	† 85-0306-9
<b>16 Compressor Mounting Washer</b> . . . . .	† 55-7341-9
<b>17 Compressor Mounting Screw</b> . . . . .	† 50-1230-9
<b>18 Clamp, Water Drain</b> . . . . .	† 56-5070-9
<b>19 Clamp, Expansion Valve Bulb</b> . . . . .	† 56-5052-9
<b>20 Screw, #10-24 x .50</b> . . . . .	† 52-0206-9
<b>21 Screw, #10-24 x .75</b> . . . . .	52-0218-3

† Refer to Cross Reference Guide

## Q200 REFRIGERATION COMPARTMENT – AIR-COOLED



### DESCRIPTION

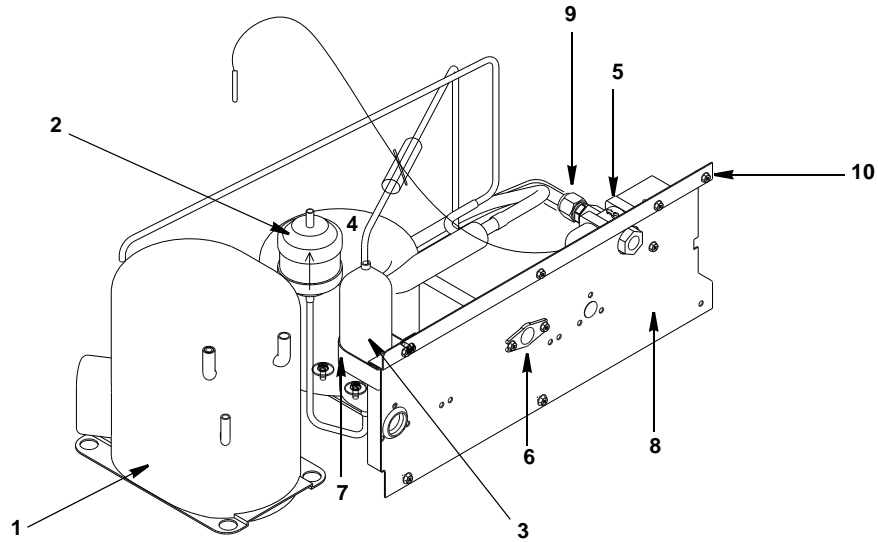
	<b>PART NO.</b>
1 Compressor (Refer to COMMON PARTS Page)	Page 4
2 Air Condenser	88-5130-3
3 <b>Fan Motor</b>	
a. 115V	† 24-1287-3
b. 208-230V/60 Hz or 230V/50 Hz	† 24-1288-3
4 Fan Blade	24-1624-3
5 Fan Cycling Control	† 20-0126-3
6 Air Filter (Not shown)	40-4019-3
7 Drier	† 89-3025-9

### Miscellaneous – Brackets, Screws, etc.

8 Air Filter Clip	† 56-5069-9
9 Fan Shroud	6021821
10 Fan Motor Mounting Bracket	6008101
11 Screw, 8-36 x 7/16	† 50-2559-9
12 Seed Nut to Mount Fan Blade	† 54-7507-9
13 Screw, #10-24 x .50	† 52-0206-9
14 Flat Washer	† 55-0426-9

† Refer to Cross Reference Guide

## Q200 REFRIGERATION COMPARTMENT – WATER-COOLED



pt1145

### DESCRIPTION

1	Compressor (Refer to COMMON PARTS Page) . . . . .
2	Drier . . . . .
3	Receiver . . . . .
4	Water-cooled Condenser . . . . .
5	Water Regulating Valve . . . . .
6	Water Drain Female Wing Adapter. . . . .

### PART NO.

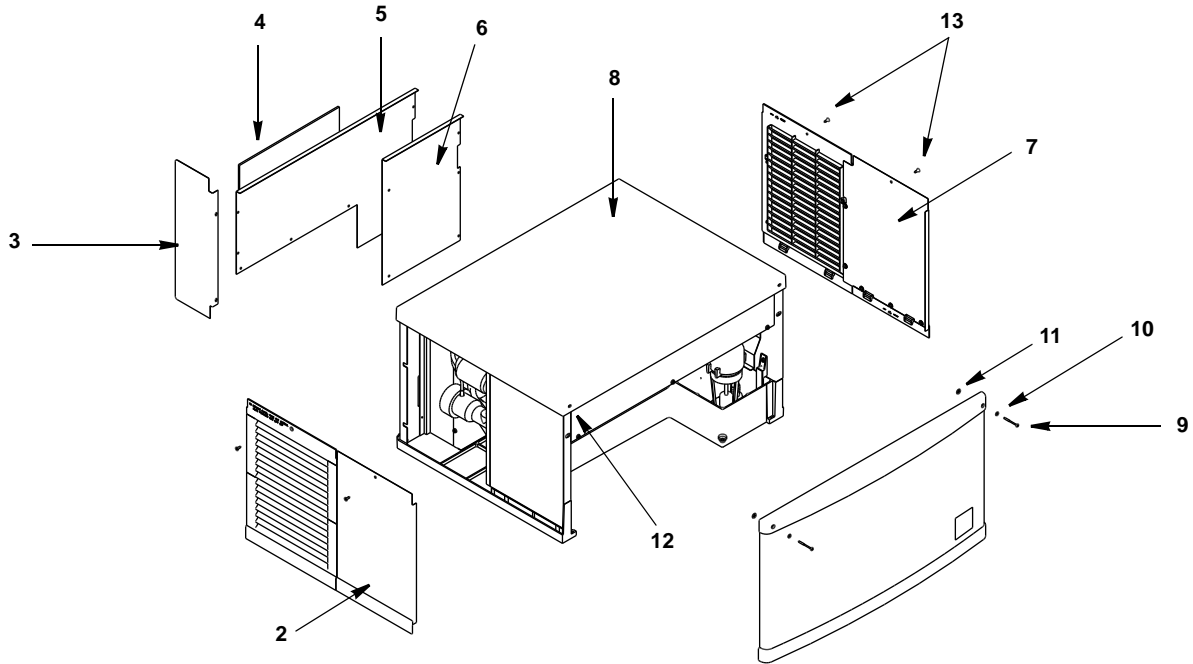
Page 4
† 89-3025-9
12-0003-1
† 88-6531-3
† 83-7206-9
87-0608-3

### Miscellaneous – Brackets, Screws, etc.

7	Receiver Strap . . . . .
8	Back Panel . . . . .
9	Water Coupling. . . . .
10	Screw, #10-24 x .50 . . . . .

600054-1
601906-1
83-3202-3
† 52-0206-9

## Q200 PANELS



pt1145

### DESCRIPTION

DESCRIPTION	PART NO.
1 Front Panel Assembly .....	76-2807-3
2 Left Side Panel .....	† 76-2808-3
3 Air Baffle .....	602374-1
4 Air Filter .....	40-4019-3
5 Back Panel, Water .....	602434-1
6 Back Panel, Air .....	602433-1
7 Right Side Panel .....	† 76-2809-3
8 Top Cover .....	43-0331-3

### Miscellaneous – Brackets, Screws, etc.

9 Front Cover Screw .....	† 51-1901-9
10 Front Cover Washer .....	† 55-7338-9
11 Front Cover Screw Retainer .....	† 56-4827-9
12 Speed Nut Assembly to Mount Front Cover .....	54-7303-3
13 Screw, #10-24 x .50 Flat .....	† 52-0209-9
14 Extruded Tape (Not shown) .....	† 92-0250-9

**NOTE:** Items 9, 10, 11 and 12 can be ordered as assembly 76-2898-3.

**INTENTIONALLY LEFT BLANK**