

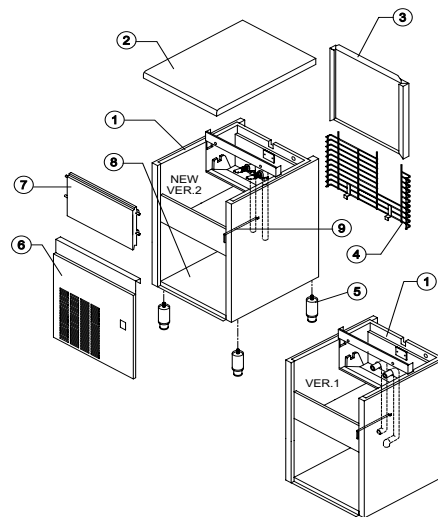


# CB 1565

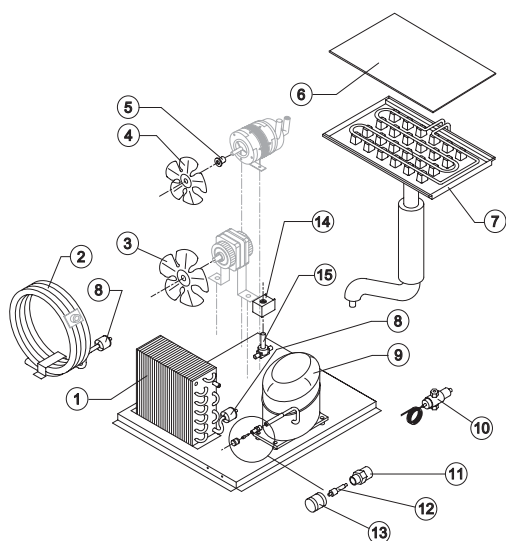
# LIST OF THE EXPLODED VIEWS



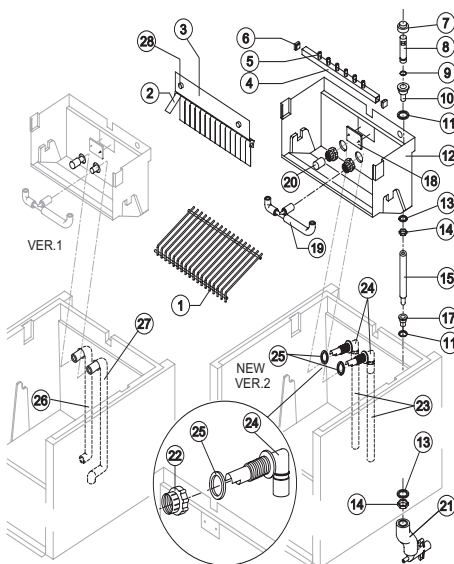
## SHELL ASSY



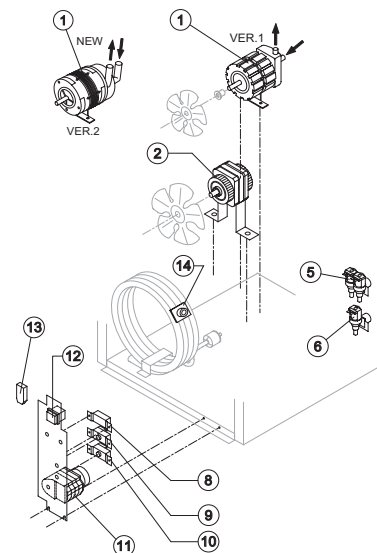
## COOLING SYSTEM



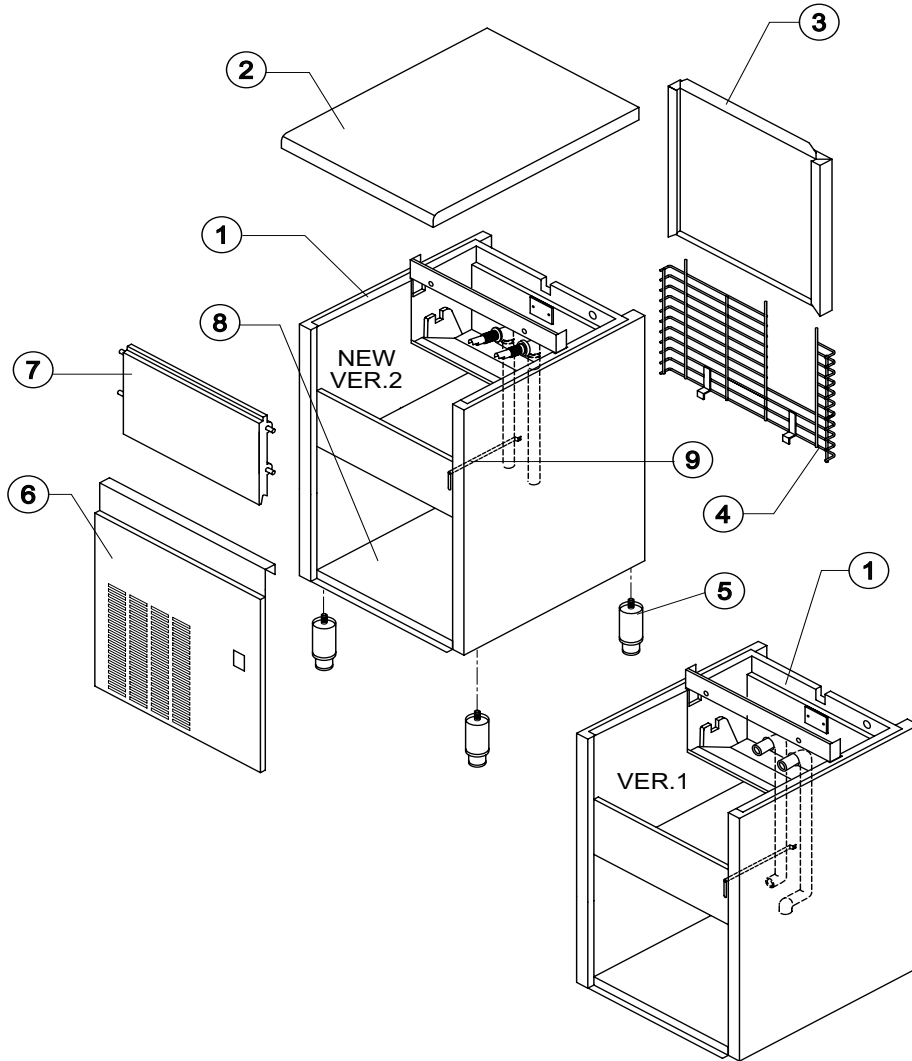
## HYDRAULIC CIRCUIT



## ELECTRIC PARTS



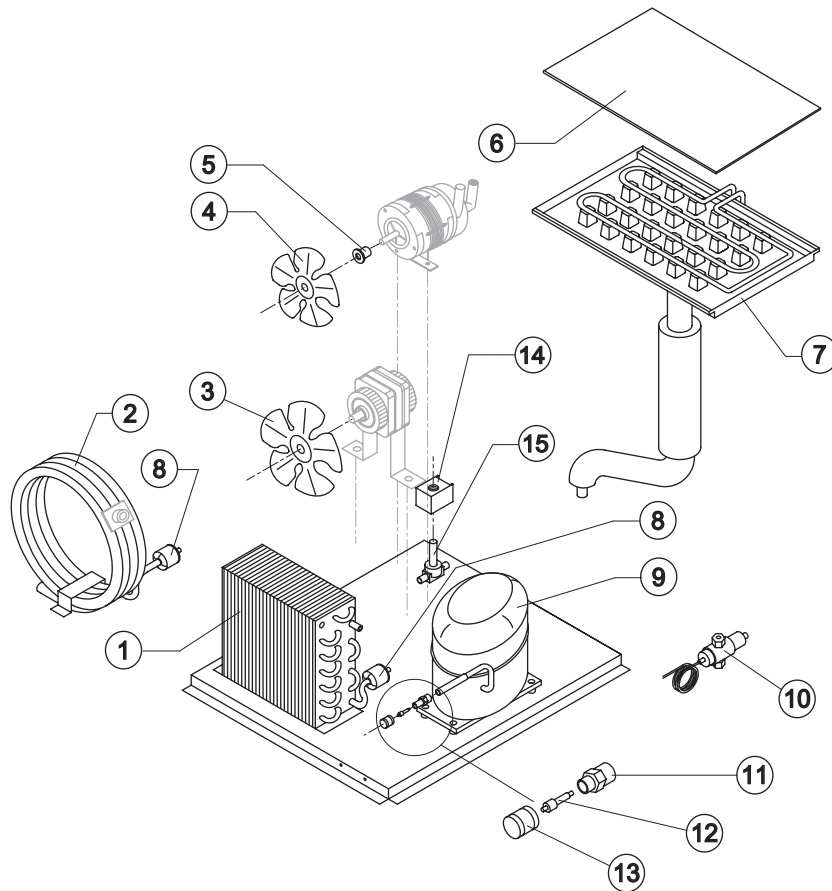
Rev. 5 - 21/07/2005



Ref.	Spare Description	Code
1	Foamed Cabinet Assy	See Table
2	Top Assembly	C22688
3	Back Panel Assembly	C21209
4	Back Grid	D12021
5	Stainless Steel Foot Adjustable	Current Version
5	ABS Foot	Till s/n. 142534
6	Front Grid Panel	22548
7	Door Assy	C10275
8	Base Plate	Current Version
8	Base Plate	Till s/n. 142534
9	Bulbe Thermostat Tube	20521

### Ref. 1 - Foamed Cabinet Assy

Code	Condensation	Note
C11086A	Air	Version 2
C11086W	Water	Version 2
C11086/E		Version 1



### Common Parts

Ref.	Spare Description	Code
4	Suction Fan	10213
5	Hub for the Fan Fixing	10014
6	Evaporator Cover	Current Version 10450
6	Evaporator Cover	Till s/n. 224687 10058
7	Evaporator	See Table -
8	Solid Core Drier	14084
9	Compressor	See Table -
11	Vacuum-Charge Valve Body	14007
12	Vacuum-Charge Valve Device	14005
13	Vacuum-Charge Valve Plug	14006
14	Hot Gas Coil	23091
15	Hot Gas Valve Body	20409

### Parts for Air-Cooled Version Only

Ref.	Spare Description	Code
1	Air Condenser	Current Version 20426
1	Air Condenser	Till s/n. 42925 20148
3	Suction Fan	Current Version 20407
3	Suction Fan	Till s/n. 42925 20153

### Parts for Water-Cooled Version Only

Ref.	Spare Description	Code
2	Water Condenser	14081
3	Suction Fan	Till s/n. 219844 10213
10	Pressure Valve	20210

### Ref. 7 - Evaporator

Kind of Cube	Code
18 g. (Standard)	D10214
33 g.	D10092
13 g.	D10126
42 g.	D10477

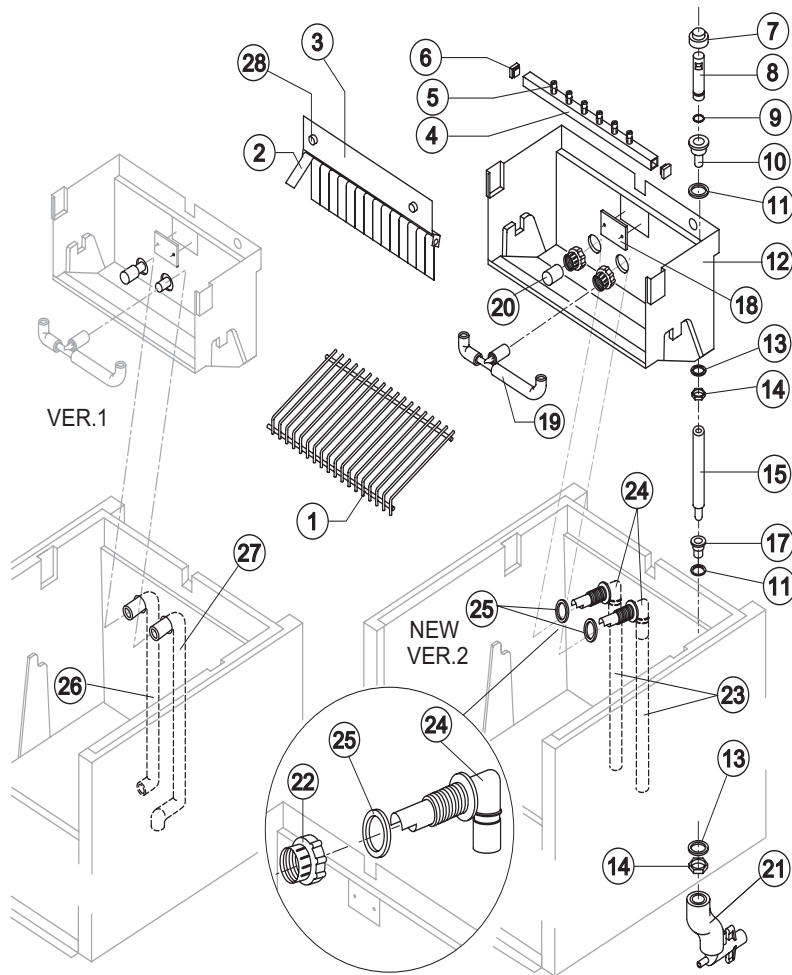
### Ref. 9 - Compressor

Tension	Code
220/240V 50 Hz	23438
220/230V 60 Hz	23593



# CB 1565

# HYDRAULIC CIRCUIT



### Common Parts

Ref.	Spare Description	Code
1	Ice Cube Slides	See Table
2	Flag	10005
3	Flags Support Assy	C22134
4	Sprayers Bar Assembly	See Table
5	Sprayer	D20002
6	Sprayers Bar Plug	10012
7	Overflow Cap	10305
8	Overflow Pipe	10133
9	OR Gasket for Overflow Pipe	20233
10	Overflow Pipe Nipple	10471
11	Silicone Gasket	13006
12	Inner Basin	10055
13	Semirigid Polyethylene Gasket	13007
14	Bin Discharge Nut	10096
15	Overflow Pipe Assembly	13155
17	Plastic Nipple Water Outlet	10472
18	Slide Keep Plate	Till s/n. 233769
19	Sprayers Bar Pipe Connection Assy	C13036
20	Pump Suction Filter	20005
22	Fitting Locking Ring	Version 2
23	Pump Suction/Delivery Pipe	Version 2
24	Fitting of the Pump Suction/Delivery Pipes	Version 2
25	Gasket for Suction Line/Pump Delivery	Version 2
26	Pump Suction Pipe	Version 1
27	Pump Delivery Pipe	Version 1
28	Fixing Screw	20009

### Ref. 1 - Ice Cube Slide

Kind of Cube	Code
18 g. (Standard)	D12022
33 g.	D12033
13 g.	D12040
42 g.	D12033

### Ref. 4 - Sprayers Bar Ass.

Kind of Cube	Code
18 g. (Standard)	C20144
33 g.	C20157
13 g.	C20200
42 g.	C20157

### Parts for Air Cooled Version Only

Ref.	Spare Description	Code
21	Discharges Manifold	C10006

### Parts for Water Cooled Version Only

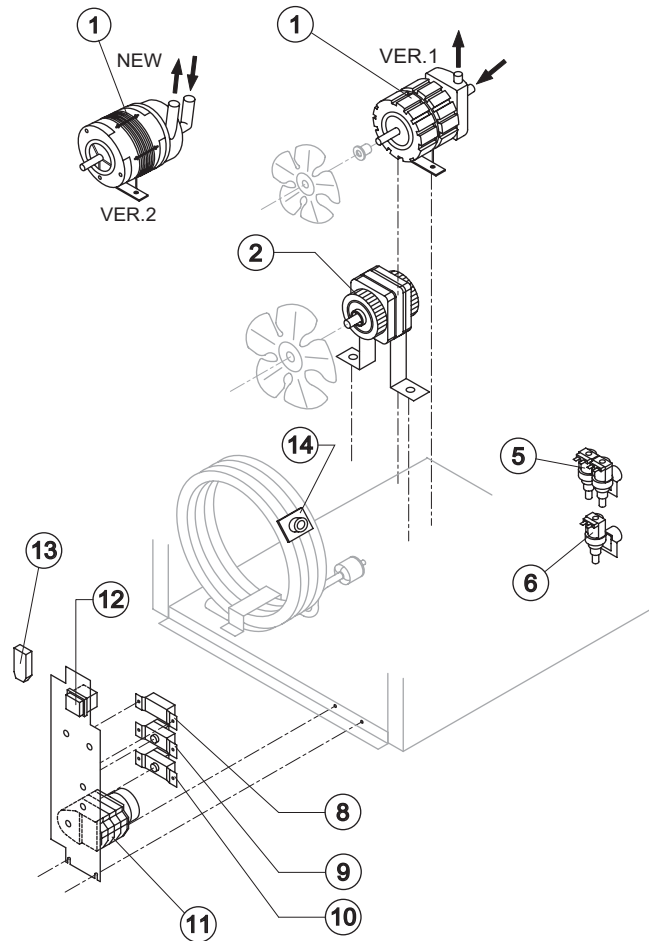
Ref.	Spare Description	Code
21	Discharges Manifold	C26452

Rev. 5 - 21/07/2005



# CB 1565

# ELECTRIC PARTS



### Common Parts

Ref.	Spare Description	Code
1	Pump	See Table
7	Contactor	23594
9	Bin Thermostat	R23005
10	Evaporator Thermostat	R23591
11	Timer	See Table
12	Green Light Switch	23327

### Parts for Air-Cooled Version Only

Ref.	Spare Description	Code
2	Fan Motor	23121
6	Inlet Watervalue 1 Way	See Table
8	Condenser Pressure Switch	23175
13	Anti Radio Interference Filter	Only 220V 50 Hz C23459

### Parts for Water-Cooled Version Only

Ref.	Spare Description	Code
2	Fan Motor	Till s/n. 219844 23029
5	Inlet Watervalue 2 Ways	See Table
14	Safety Thermostat	C23114

### Ref. 1 - Pump

Tension	Version 1	Version 2
220/240V 50 Hz	23068	23462
220/230V 60 Hz	23068	23462

### Ref. 5 - Inlet Watervalue 2 Ways

Tension	18g/13g Cube	33g Cube	42g Cube
220/240V 50 Hz	23138	23138	23138
220/230V 60 Hz	23138	23138	23138

### Ref. 6 - Inlet Watervalue 1 Way

Tension	18g/13g Cube	33g Cube	42g Cube
220/240V 50 Hz	23108	23108	23787
220/230V 60 Hz	23108	23787	23787

### Ref. 11 - Timer

Tension	18 g Cube	33 g Cube	13 g Cube	42 g Cube
220/240V 50 Hz	23247	23248	23472	23780
220/230V 60 Hz	23222	23780	23247	23780

Rev. 5 - 21/07/2005